

HTA-810/820 DIY Time & Attendance Recorder



HTA-810



HTA-820



Features

- Simple, reliable & easily installed, first time set up in 3 minutes
- Suitable for chains and enterprises
- Cope with seasonal time change - daylight saving control
- Follows your usual practice – auto or manual clock in / clock out (HTA-820)
- Dynamic control of memory up to 8000 cardholders (max, HTA-820), 8200 transaction data (HTA-810/820)
- Visual LED for display of time, card number, communication mode, swiped card indication
- 16 shift schedule for HTA-820
- 32 sets bell output
- Auto scheduling for data collection, time synchronization, valid card download
- Invalid & re-swiped cards off-the-record saves memory capacity
- Memory full warning
- At least 60 days data storage in case of power outage
- RTC (Real Time Clock) ensures accurate time regardless of power outage
- Watchdog function ensures device free from halting
- CE, FCC, RoHS compliant

Ordering Information

■ Bar Code Type	HTA-810B / HTA-820B
■ Magnetic Type	HTA-810M / HTA-820M
■ Proximity Type	HTA-810P / HTA-820P
■ HID Type	HTA-810HID/HTA-820HID
■ Mifare Type	HTA-810MIF/HTA-820MIF

Package Content : 1pc/inner box

- HTA-8XX x 1
- Cable x 1
- Quick Start Guide x 1
- Software CD with user manual
- Accessory Pack with Screws and Hex Key Wrench x 1
- Bar Code Card x 3 (Bar Code Type)
- Magnetic Card x 3 (Magnetic Type)
- EM Card x 1 (Proximity Type)
- Mifare Card x 1 (Mifare Type)

Optional Accessories :

- Power Adaptor : DC 12V
- DC Jack Converter
- RS-232 to RS-485 converter : EPC-402
- TCP/IP converter : e-P132
- UPS : PSU-320 Power Supply

With Adaptor :

Model No.	Q'ty/ Carton	NW(kg)	GW(kg)	Cu.Ft.
HTA-810	8	9.6	10.6	1.72
HTA-820	8	9.6	10.6	1.72

Without Adaptor :

Model No.	Q'ty/ Carton	NW(kg)	GW(kg)	Cu.Ft.
HTA-810	8	4.9	5.9	1.72
HTA-820	8	4.9	5.9	1.72

Specifications

Description	HTA-810	HTA-820
Processor	8-Bit	
Memory	256K	
Output ports	1 Relay (Bell/Electronic Lock)-HTA-820	
Events	8,200 transaction data (max)	
LED Indicator	Visual LED for display of time, Swiped card indication(last 4 digits), COMM. x 1	
Keypad	None	4 keys (HTA-820) for auto shift schedule and manual clock in/clock out
RTC (Real Time Clock)	Yes	
Beeper Tone	Buzzer	
Device ID Setting	Software	
Reader ports	ABA-Track2 / Wiegand26 x 1	
■ Bar Code type	Resolution: 0.15mm Scanning Speed: 100~1000mm/sec	
■ Magnetic Type	ISO3554 Standard Track 1 or 2 or 3 Scanning Speed: 3~40ips	
■ Proximity type	RF 125 KHz, Effective range : 8~10cm	
■ Mifare type	RF 13.56 MHz, Effective range : 5cm	
■ HID	Wiegand 26	
Operating Voltage	DC 12V / 1A	
Power consumption	3W (max.)	
Comm. Interface	RS-232 / RS-485	
Comm. Baud Rate	1200/2400/4800/9600/19200 bps-N-8-1	
Operating Temp.	-10° C ~ 55° C / 14° F ~ 131° F	
Relative Humidity	20% ~ 80% (Non Condensing)	
Dimensions	100mm(L) x 160mm(W) x 40mm(H) – excluding base	
Weight	300g	

HTA-830/840 DIY Time & Attendance Recorder



- HTA-830 : TCP/IP
- HTA-840 : TCP/IP & PoE

■ Note: PoE (Power over Ethernet)-
Transmitting DC power to device by unused
Ethernet 4/5 & 7/8 wires. Enabling remote
device installation where
no AC power outlet is available.



Features

- Simple, reliable & easily installed, first time set up in 3 minutes
- Suitable for chains and enterprises
- 10 baseT Ethernet (TCP/IP) enabled, easy implementation
- PoE (Power Over Ethernet) for HTA-840, eliminates serial cable material & installation, power adaptor - significant cost saving
- Cope with seasonal time change - daylight saving control
- Follows your usual practice – auto or manual clock in / clock out
- Dynamic control of memory up to 8000 cardholders (max), 8200 transaction data
- Visual LED for display of time, card number, communication mode, swiped card indication
- 16 shift schedule
- 32 sets bell output
- Auto scheduling for data collection, time synchronization, valid card download
- Invalid & re-swiped cards off-the-record saves memory capacity
- Memory full warning
- At least 60 days data storage in case of power outage
- RTC (Real Time Clock) ensures accurate time regardless of power outage
- Watchdog function ensures device free from halting

Ordering Information

■ Bar Code Type	HTA-830B / HTA-840B
■ Magnetic Type	HTA-830M / HTA-840M
■ Proximity Type	HTA-830P / HTA-840P
■ HID Type	HTA-830HID/HTA-840HID
■ Mifare Type	HTA-830MIF/HTA-840MIF

Package Content : 1pc/inner box

- HTA-8XX x 1
- Quick Start Guide x 1
- Software CD with user manual
- Accessory Pack with Screws and Hex Key Wrench x 1
- Bar Code Card x 3 (Bar Code Type)
- Magnetic Card x 3 (Magnetic Type)
- EM Card x 1 (Proximity Type)
- Mifare Card x 1 (Mifare Type)

Optional Accessories :

- Power Adaptor : DC 12V
- DC Jack Converter
- UPS : PSU-320 Power Supply

With Adaptor:

Model No.	Q'ty/ Carton	NW(kg)	GW(kg)	Cu.Ft.
HTA-830	8	9.6	10.6	1.72

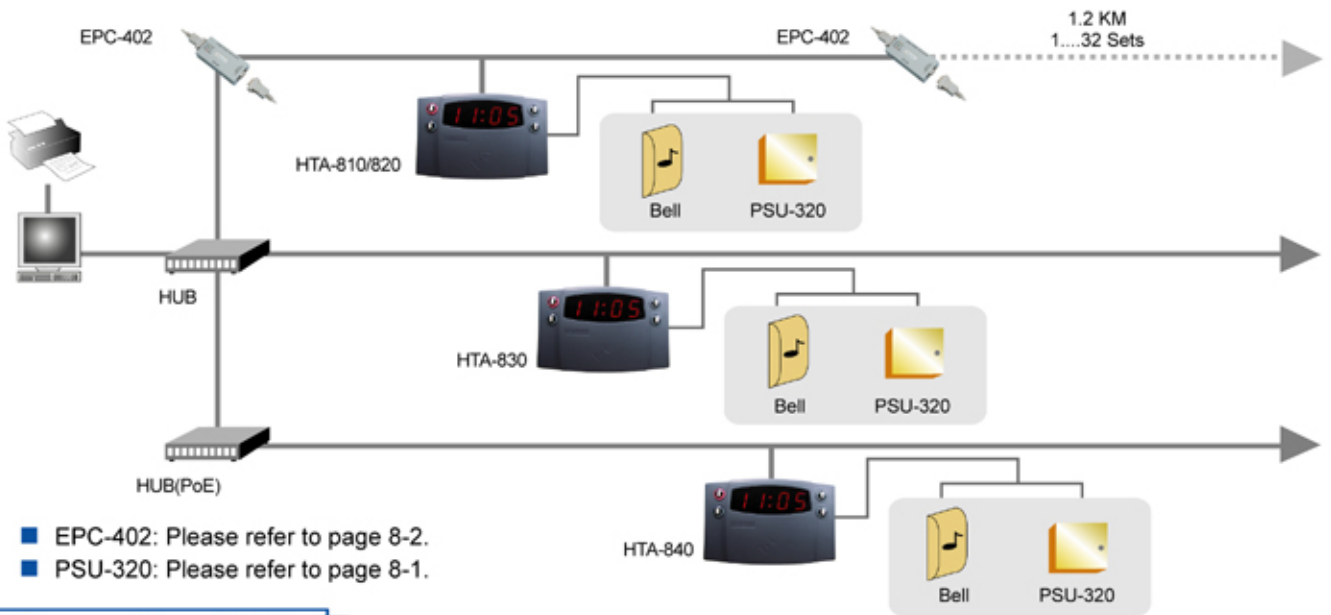
Without Adaptor:

Model No.	Q'ty/ Carton	NW(kg)	GW(kg)	Cu.Ft.
HTA-830	8	4.9	5.9	1.72
HTA-840	8	4.9	5.9	1.72

Specifications

Description	HTA-830	HTA-840
Processor	8 Bit	
Memory	256K	
Output ports	1 Relay (Bell/Electronic Lock)	
Events	8,200 transaction data (max)	
LED Indicator	Visual LED for display of time, Swiped card indication(last 4 digits), COMM. x 1	
Keypad	4 keys for auto shift schedule and manual clock in/clock out	
RTC (Real Time Clock)	Yes	
Beep Tone	Buzzer	
Device ID Setting	Software	
Reader ports	ABA-Track2 / Wiegand26 x 1	
■ Bar Code type	Resolution: 0.15mm; Scanning Speed: 100~1000mm/sec	
■ Magnetic Type	ISO3554 Standard Track 1 or 2 or 3 Scanning Speed: 3~40ips	
■ Proximity type	RF 125 KHz, Effective range : 8~10cm	
■ Mifare type	RF 13.56 MHz, Effective range : 5cm	
■ HID	Wiegand 26	
Operating Voltage	DC 12V/ 1A	DC 48V(57V max) / 1A
Power consumption	5W / 24W (max.)	
Comm. Interface	TCP/IP	TCP/IP(PoE)
Comm. Baud Rate	10M bps	
Operating Temp.	-10° C ~ 55° C / 14° F ~ 131° F	
Relative Humidity	20% ~ 80% (Non Condensing)	
Dimensions	100mm(L) x 160mm(W) x 40mm(H) – excluding base	
Weight	400g	

HTA-810/820/830/840 System Architecture



Comparison Table

Description	HTA-810	HTA-820	HTA-830	HTA-840
Transaction data	8200	8200	8200	8200
Valid card identification, max. records	N/A	8000	8000	8000
Keypad	N/A	4 keys	4 keys	4 keys
Keypad backlight	N/A	YES	YES	YES
Re-swiped card auto examine	0~255 sec	0~255 sec.	0~255 sec.	0~255 sec.
Clock in and clock out	N/A	YES	YES	YES
Daylight saving control	YES	YES	YES	YES
Preset 16 time schedules	N/A	YES	YES	YES
Bell Outputs	32 sets	32 sets	32 sets	32 sets
Comm. Interface	RS-232 / 485	RS-232 / 485	TCP / IP	TCP / IP (PoE)
Operating Temp.	DC 12V / 1A	DC 12V / 1A	DC 12V / 1A	DC 48V (57V max) / 24W (PoE)

Quick Setup

